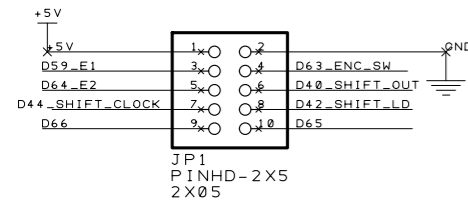
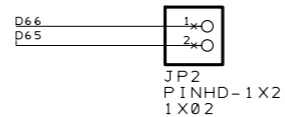
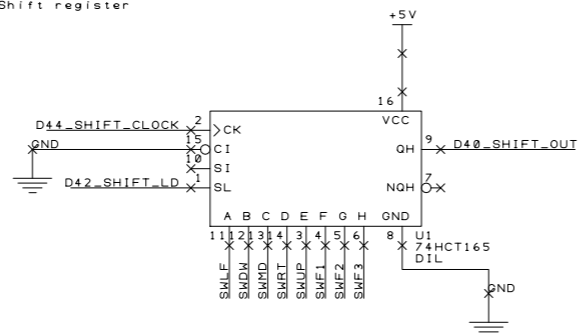


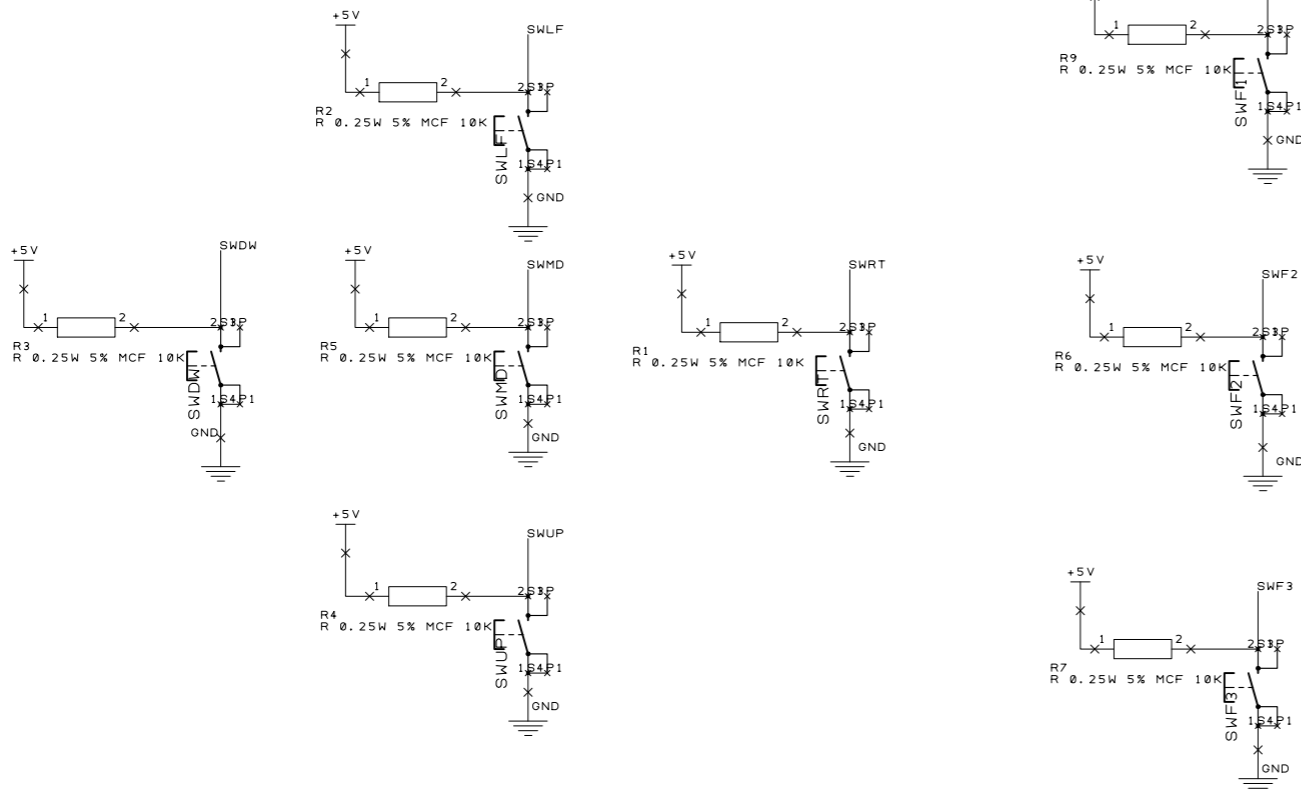
Connector



Shift register



Buttons



Encoder

