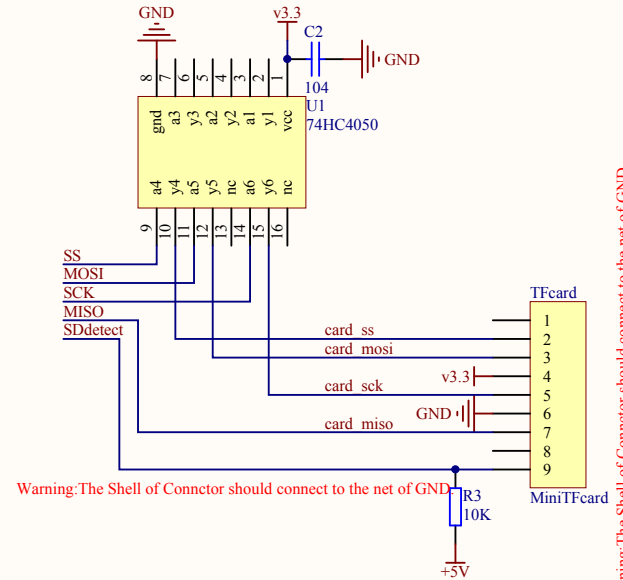
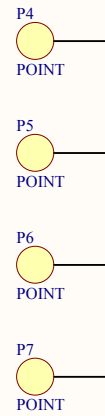
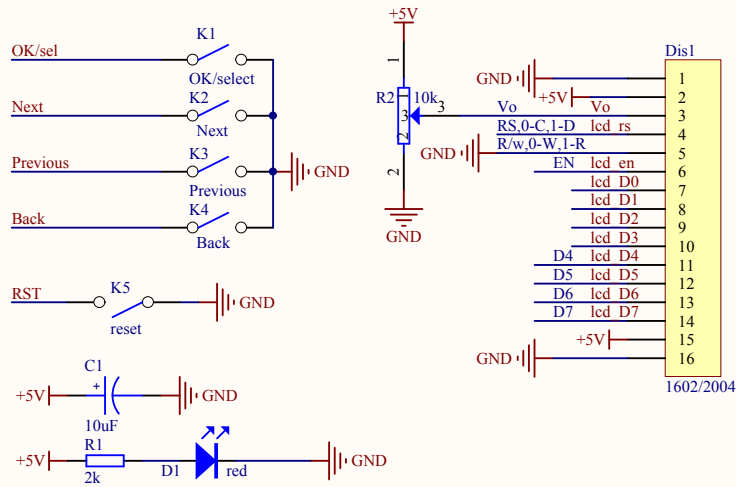
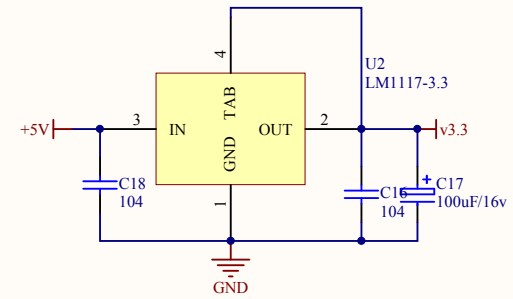
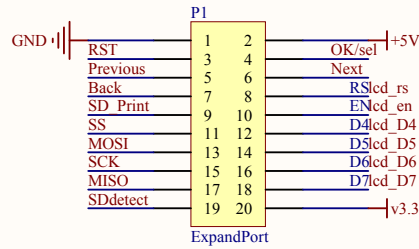


PiBot SD LCD Controller V1.4-1

Design by: pxl



Title		
Size	Number	Revision
A4		
Date:	2013/9/12	Sheet of
File:	E:\PI-second-part\PIExpandBoardV1.4-1	Sheet of