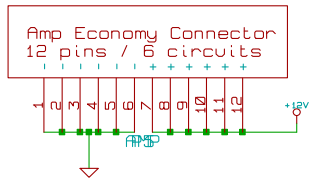
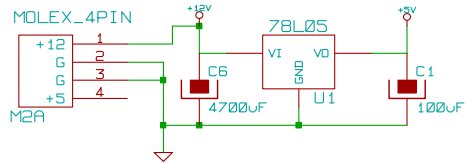
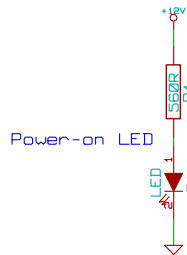


Power in and voltage regulator

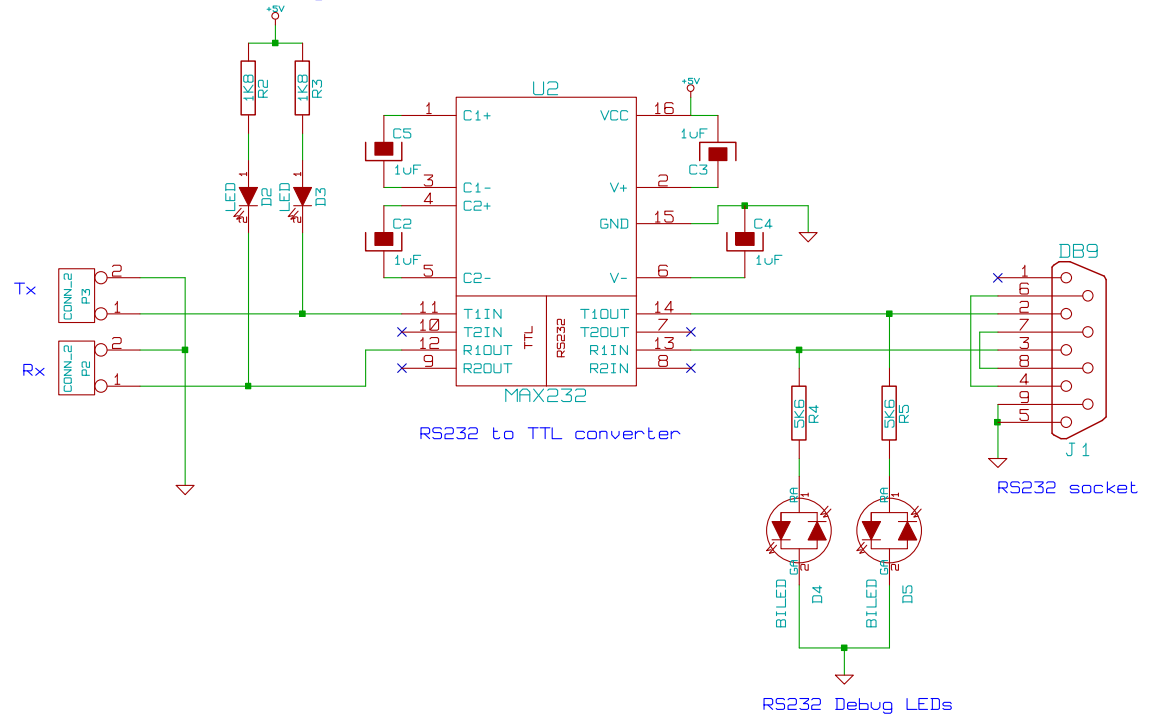


Power output connectors



Power-on LED

Rx/Tx Debug LEDs



RS232 to TTL converter

RS232 Debug LEDs

RS232 socket

Draft with Tx and Rx debug LEDs			
RRRF			
Title: RepRap PowerComms			
Size: A4	Date: 19 aug 2007	Rev: 1.3.0	
KiCad E.D.A.		EESchema (2007-07-09)	Sheet: 1/1