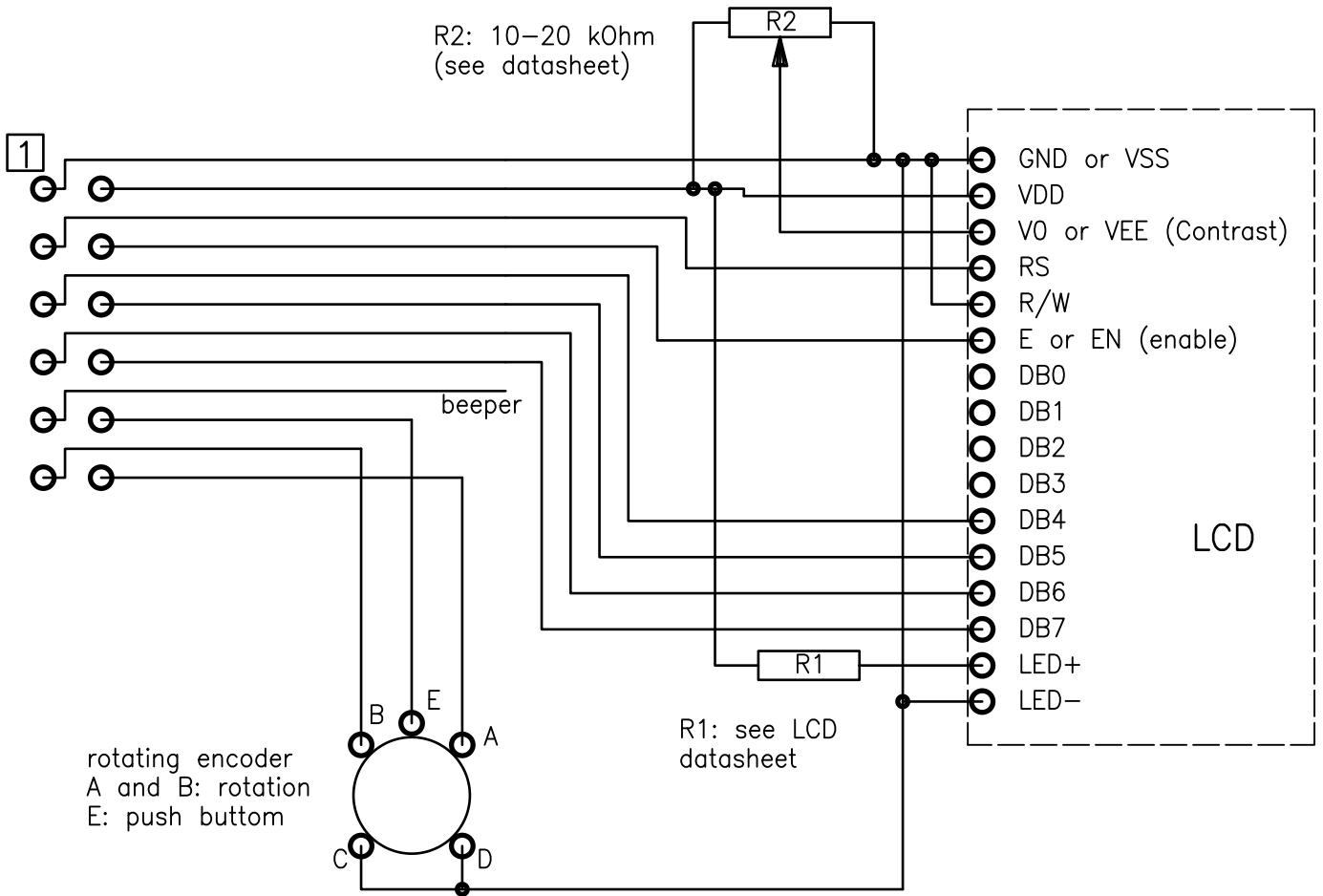


## Connecting LCD and rotating encoder to RADDs:



## Connecting SD-Card to RADDs:

