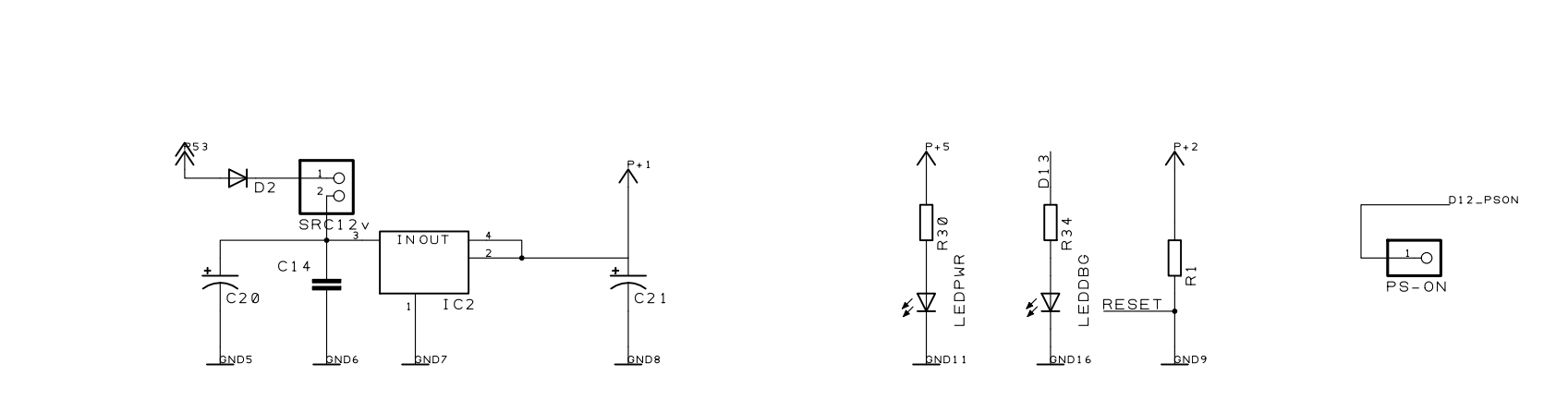
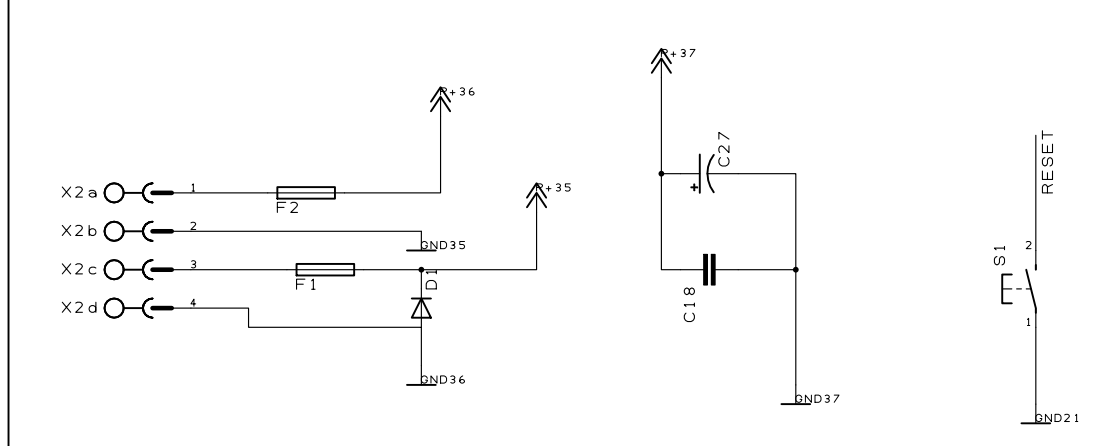
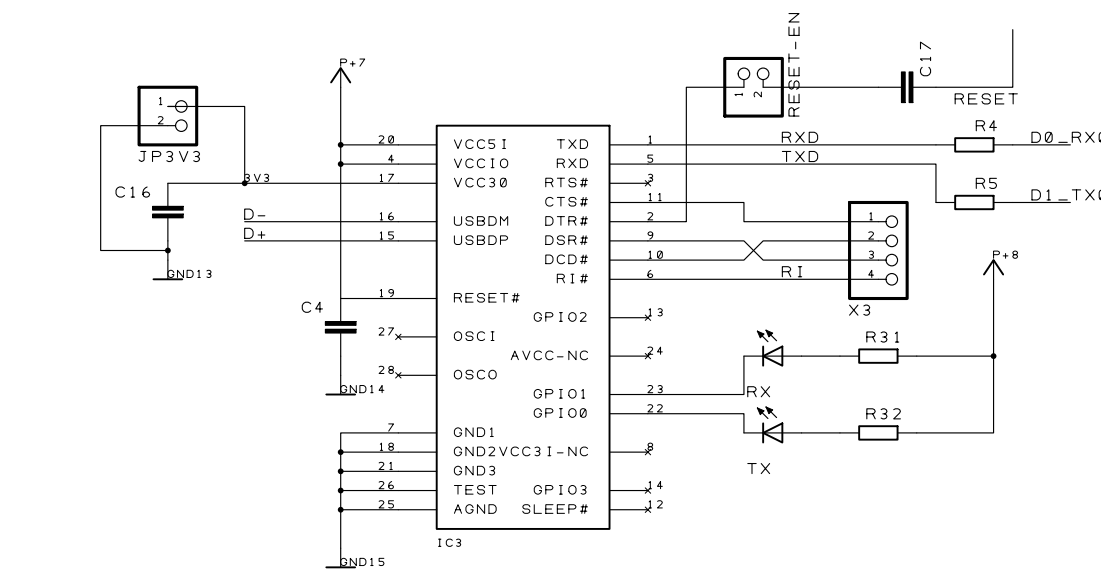
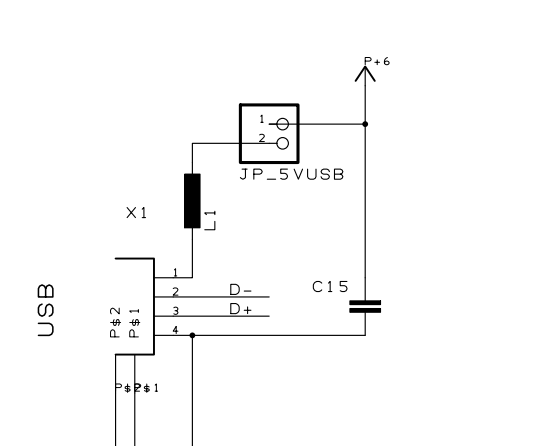


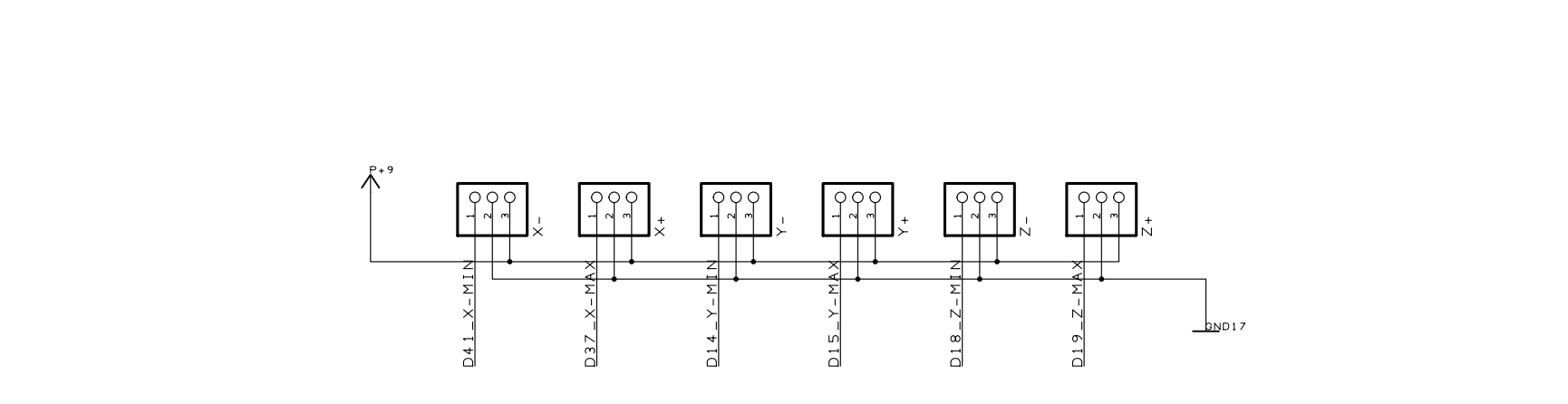
Power



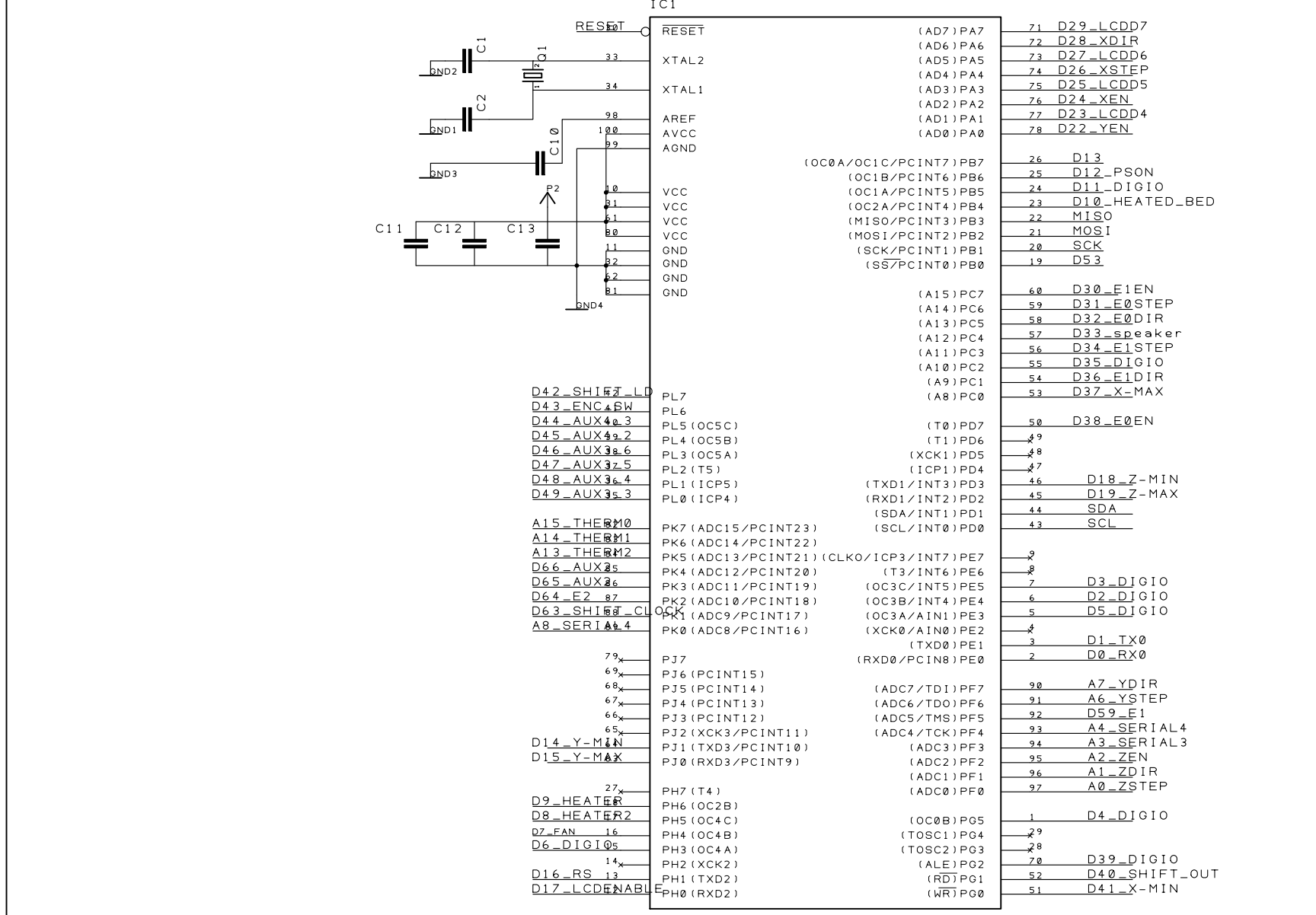
Communication



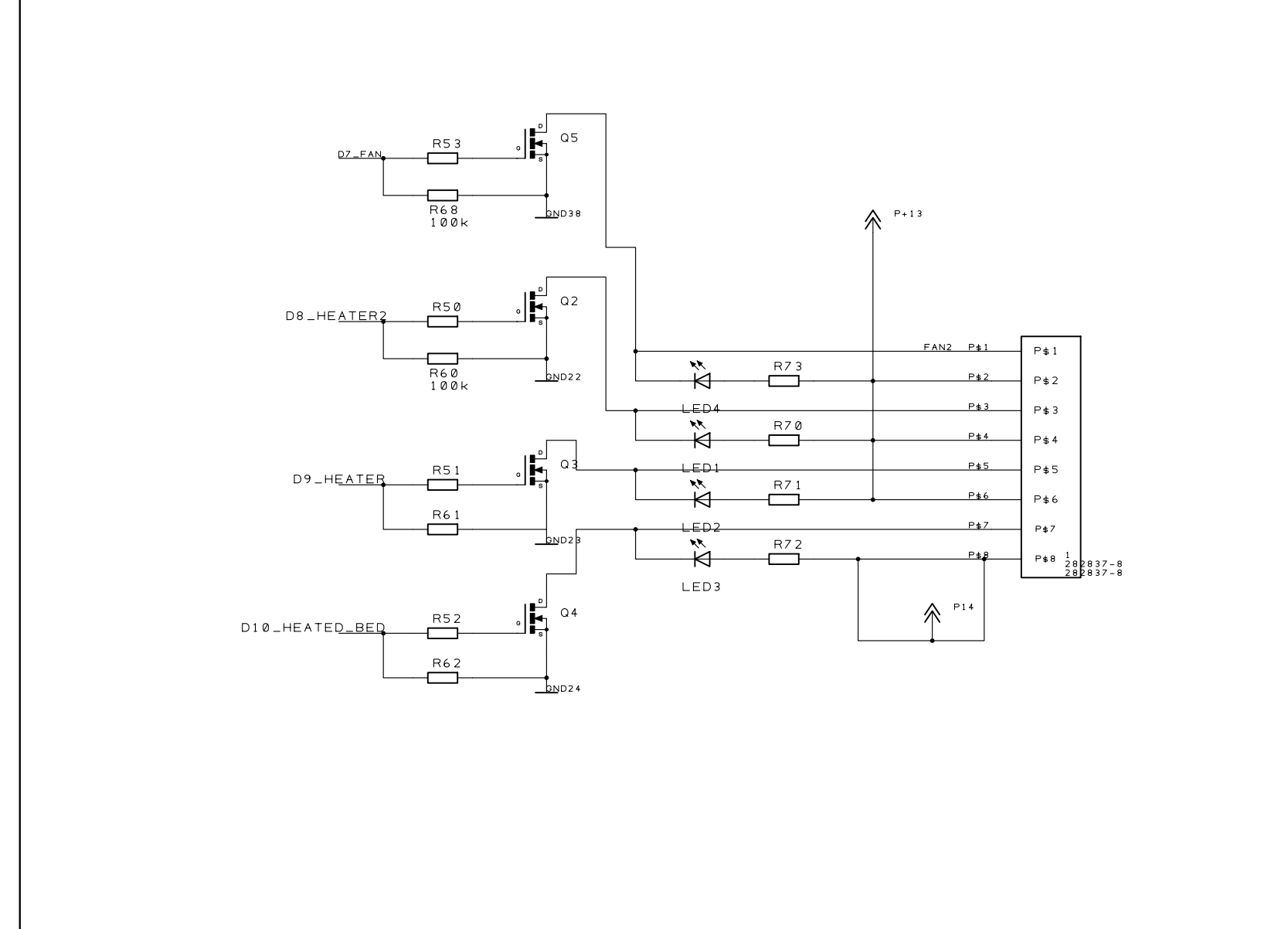
End stops



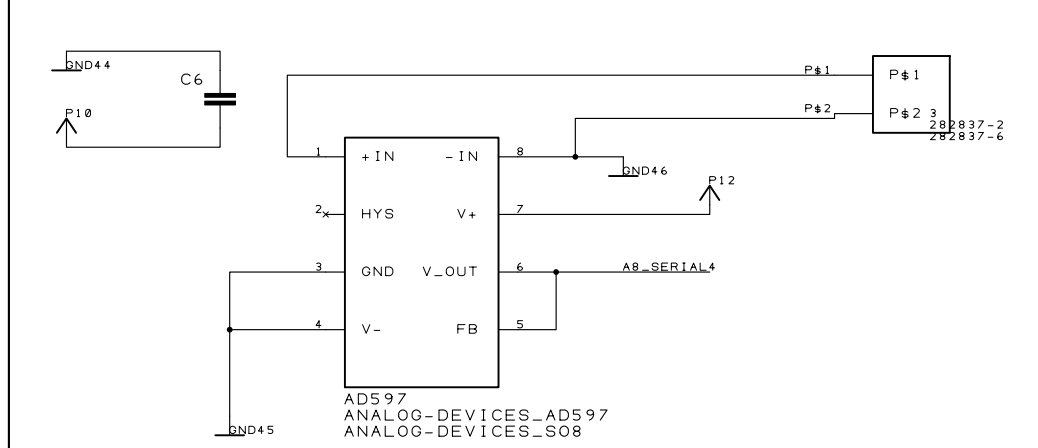
Atmega



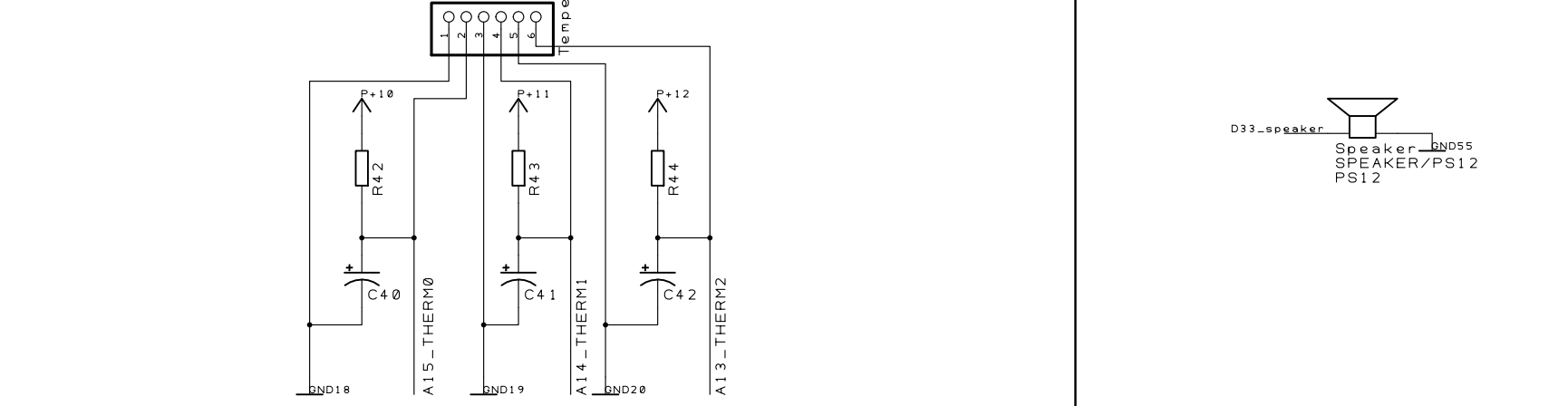
MOSFET's



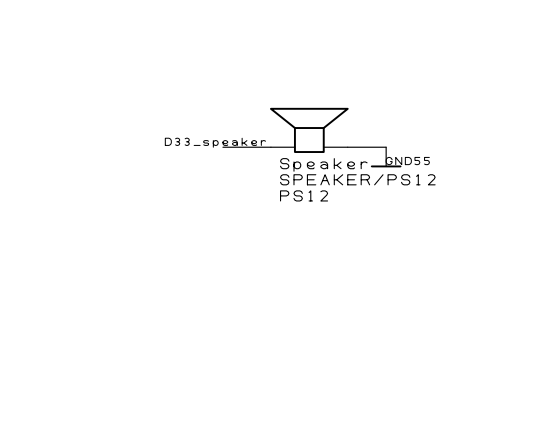
Thermocouple



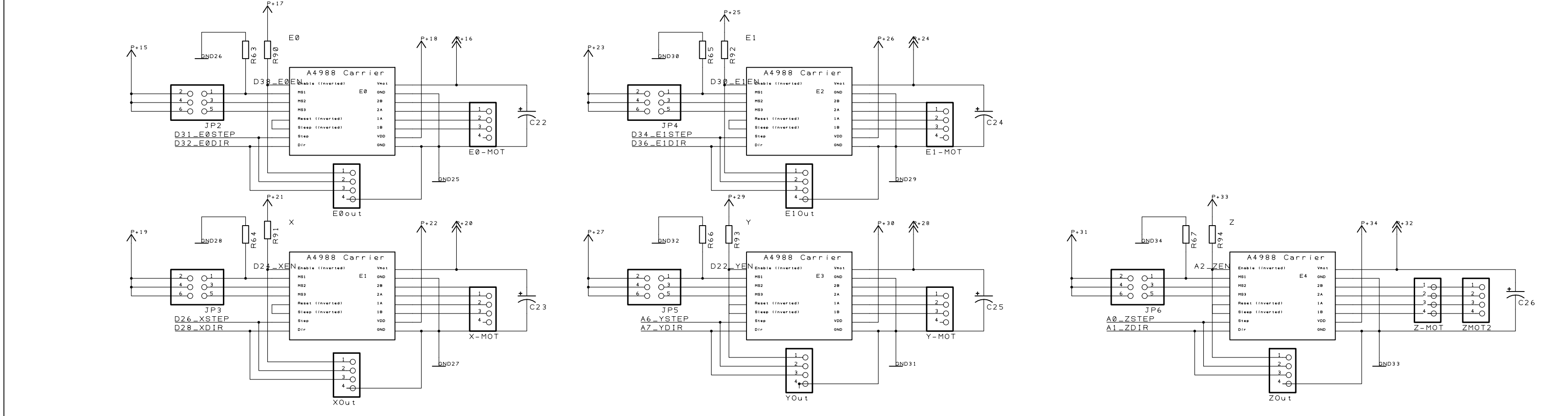
Thermistors



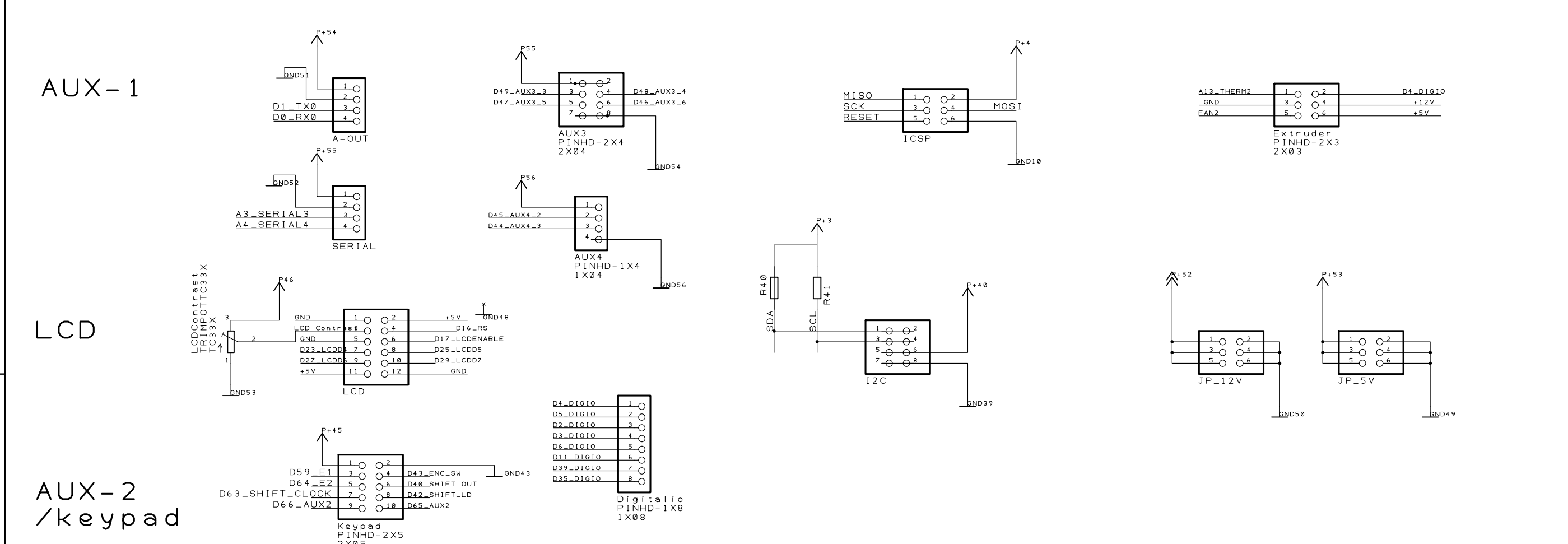
Sound



Stepper slots



AUX



SD

