

1

2

3

4

5

6

RevNo	Revision note	Date	Signature	Checked
-------	---------------	------	-----------	---------

A

B

C

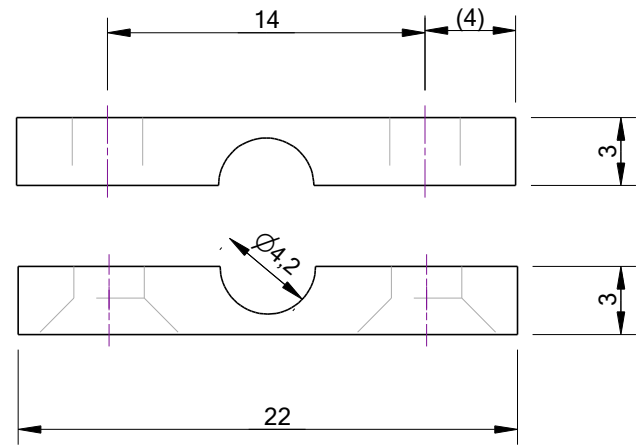
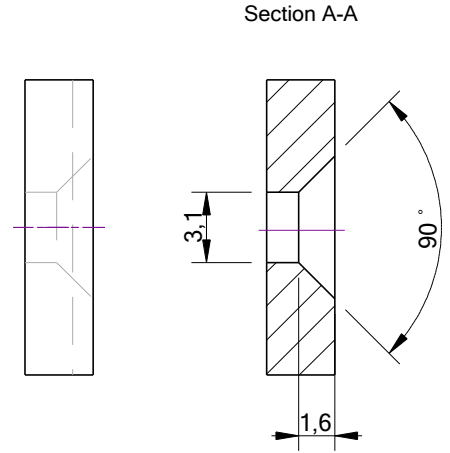
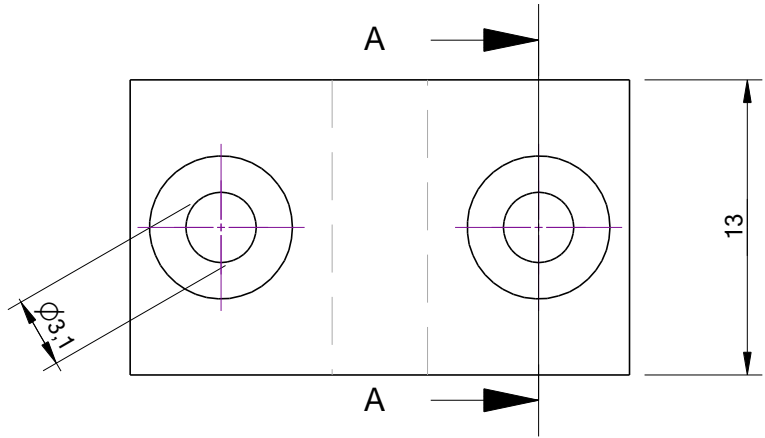
D

A

B

C

D



Centrální otvor vrtat s protikusem.

Itemref	Quantity	Title/Name, designation, material, dimension etc			Article No./Reference	
Drawn by Zemciko Topne teleso stolu		Checked by	Approved by - date	File name	Date 30.06.2013	Scale
20x hornipolovina 20x dolni polovina				Material: AL	Tone teleso stolu	
Sinuhed_004					Edition	Sheet

1

2

3

6