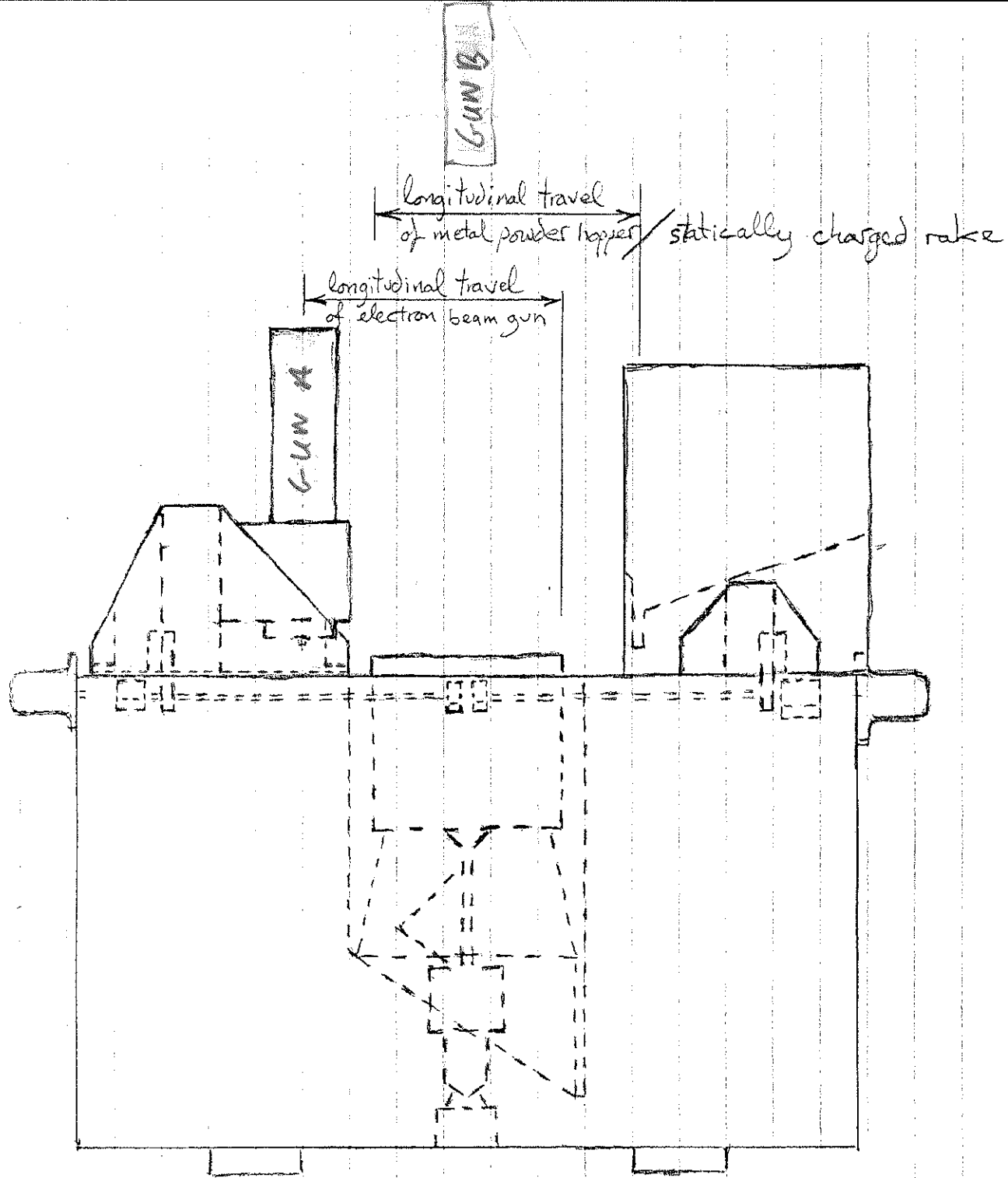
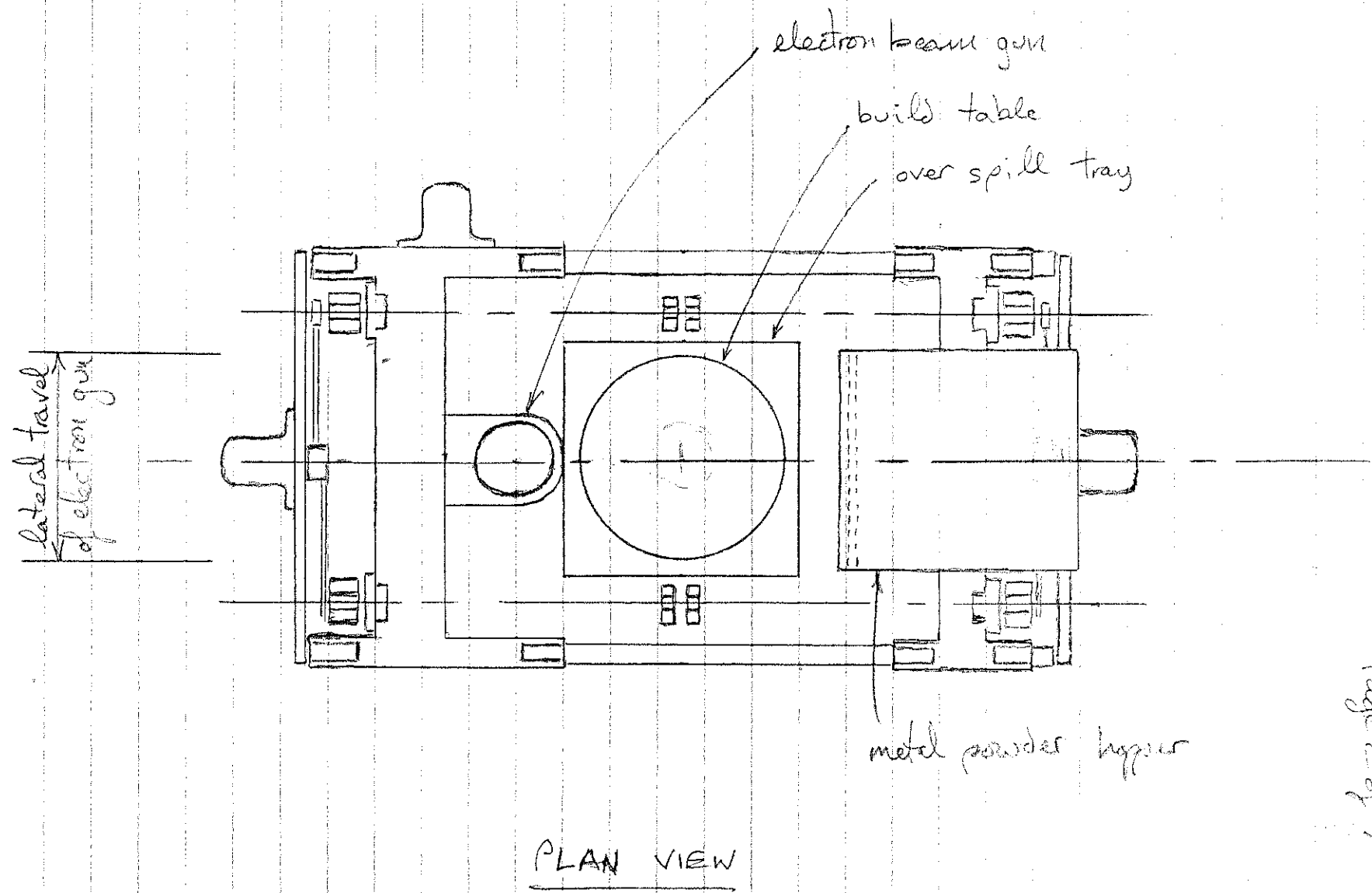
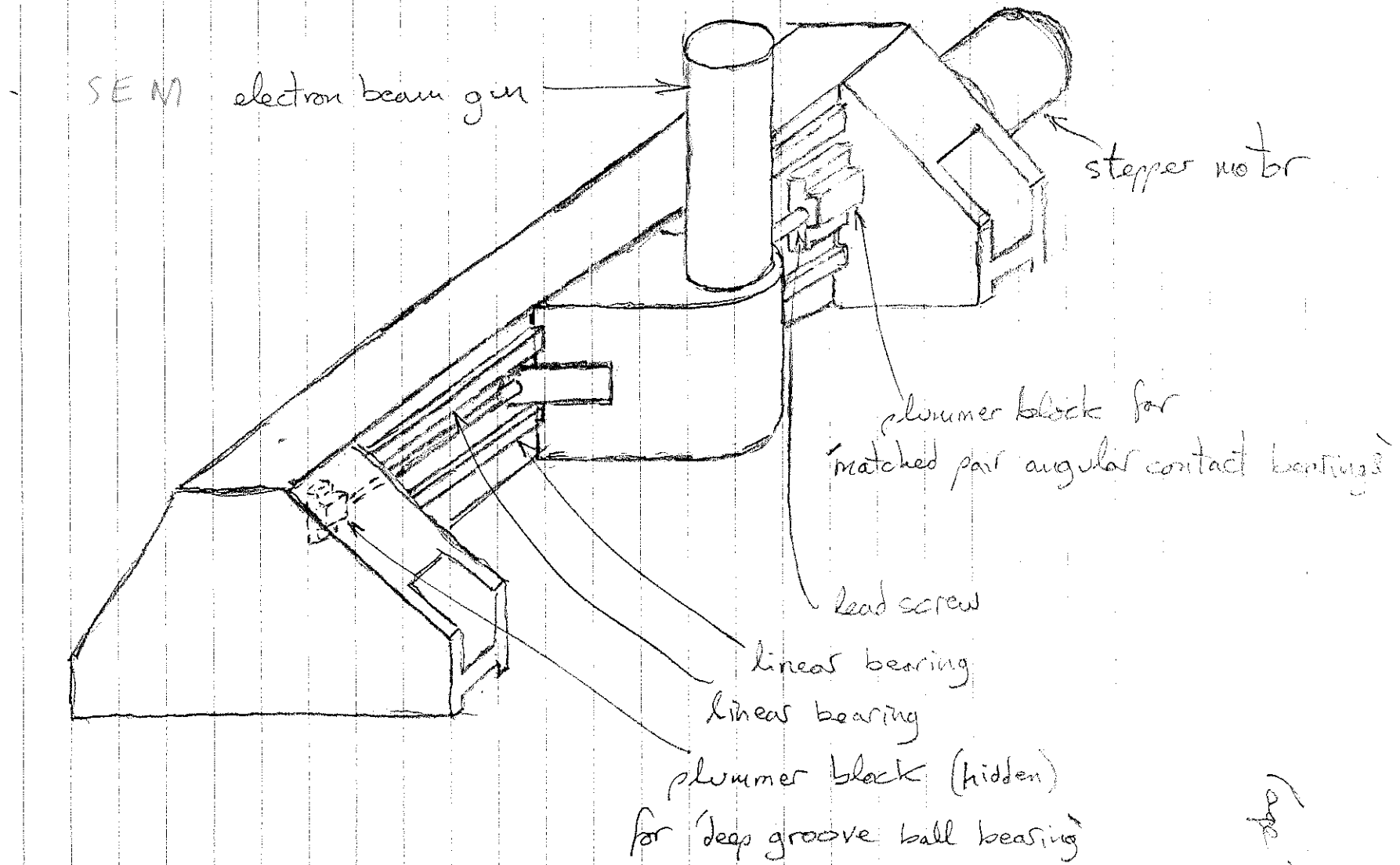
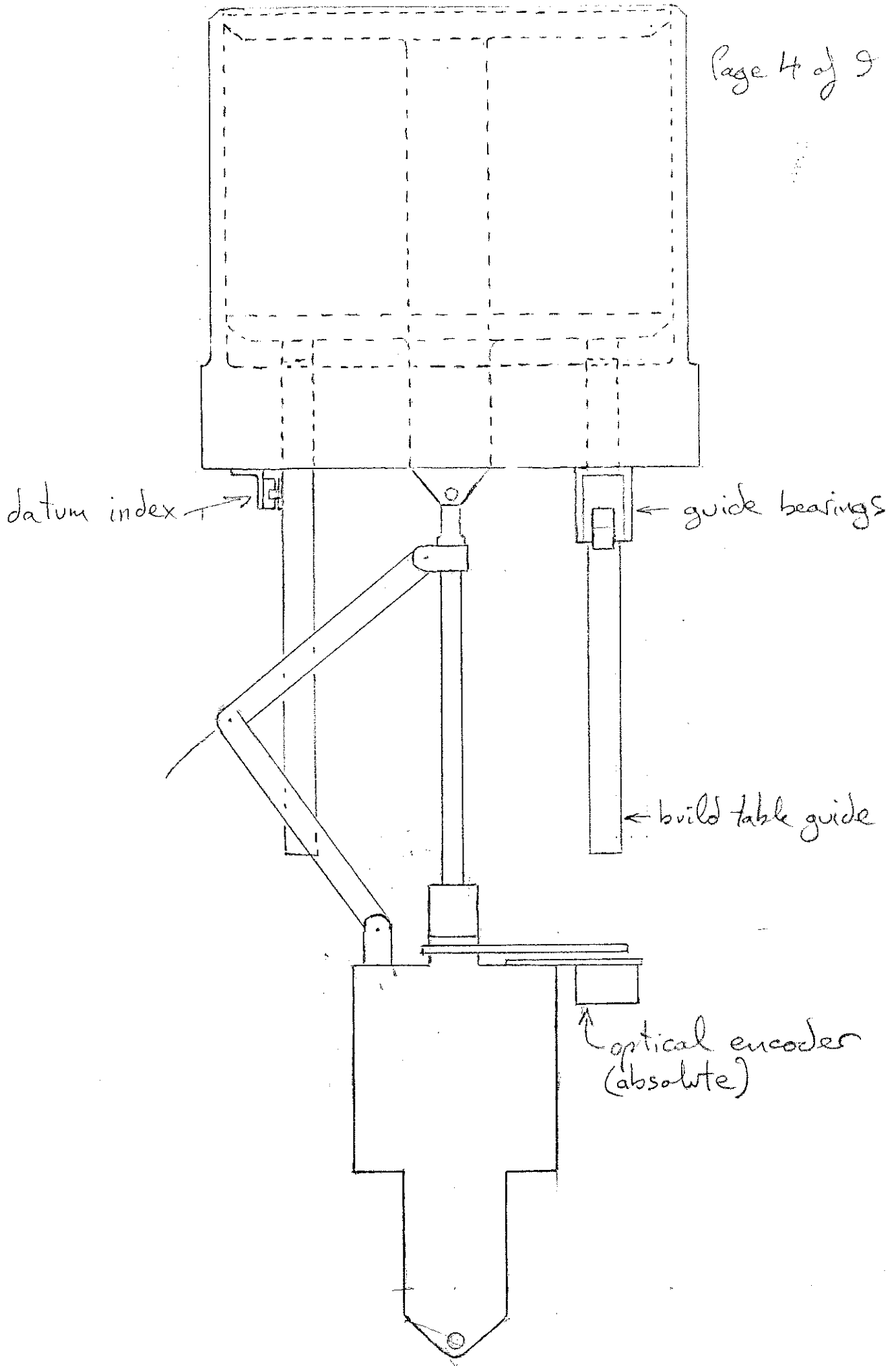


SIDE VIEW



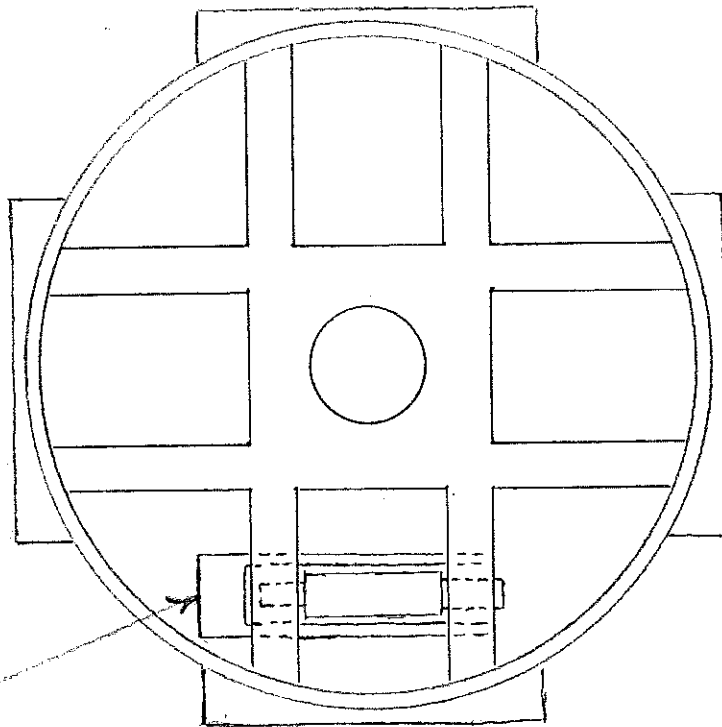






Build table drum

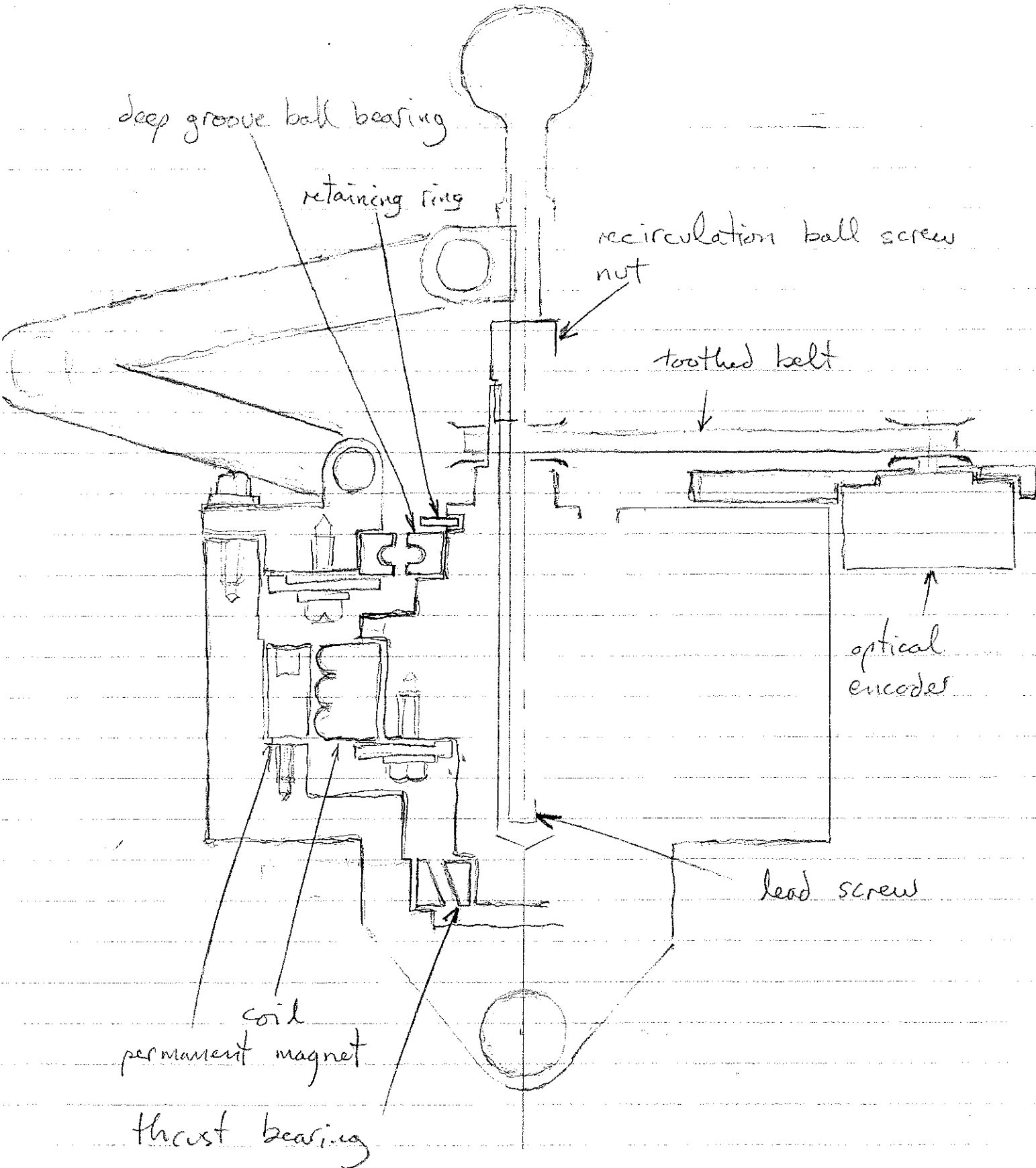
Circular so to make possible a high degree of symmetry to achieve a gap of $\frac{\phi \text{ metal powder}}{3}$ between build table and drum wall.



build table guide bearing's

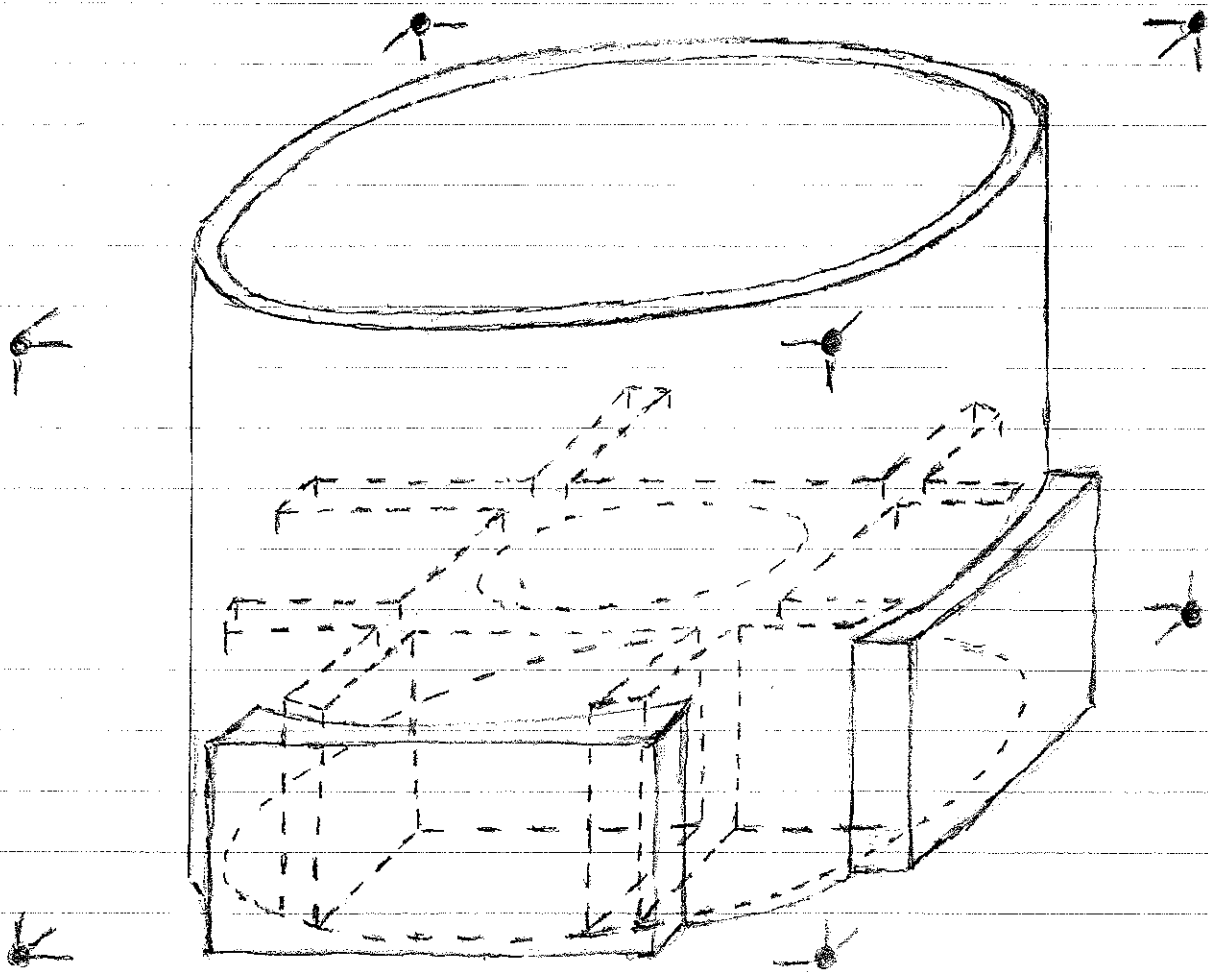
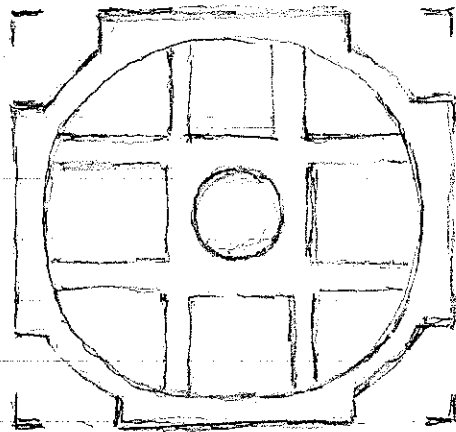
Plan view

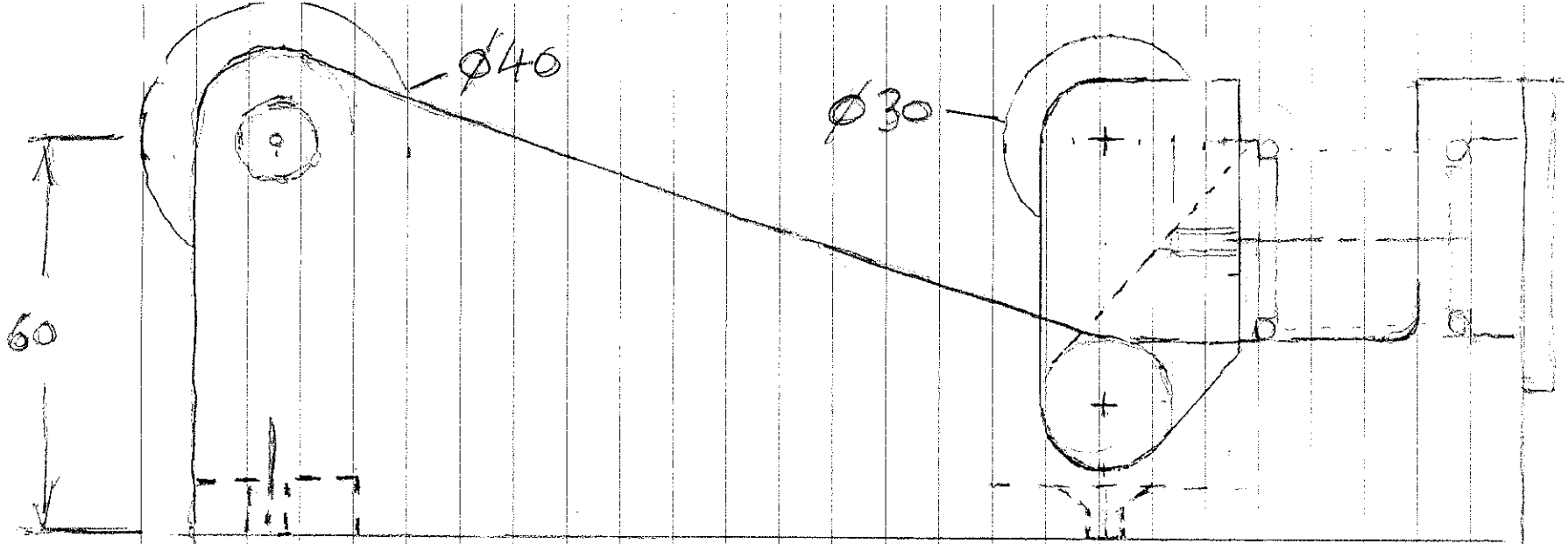
Build table actuator



Build table drum

Page 7 of 9

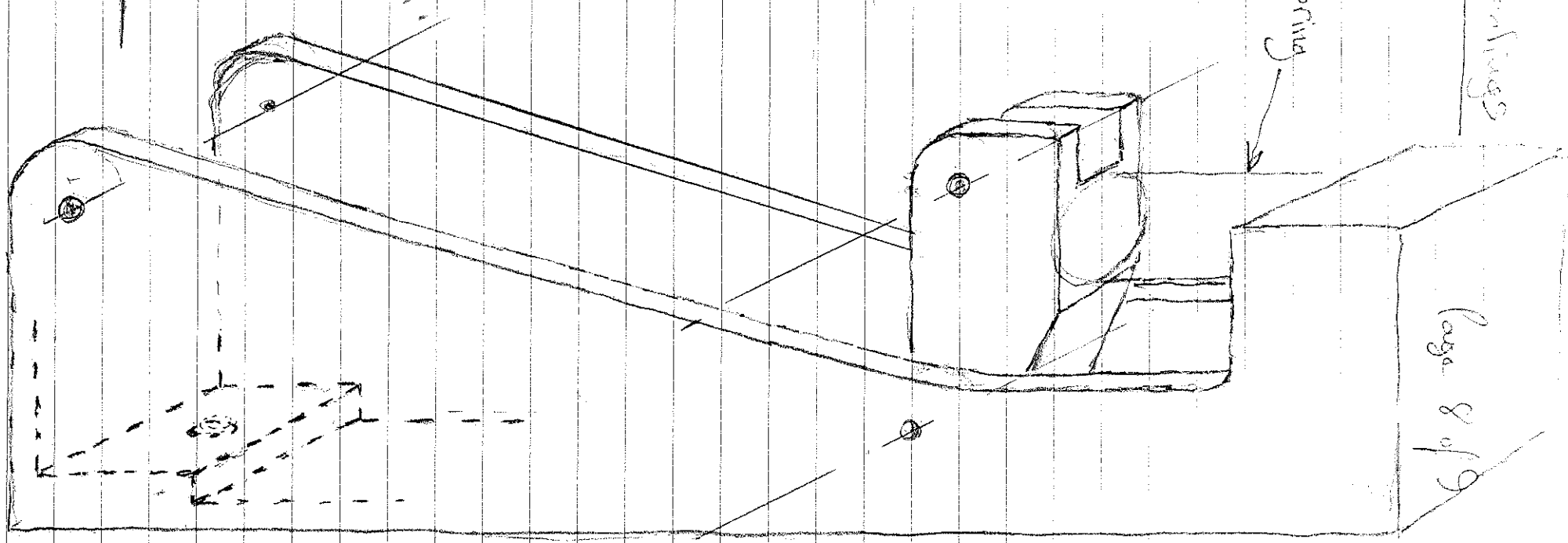


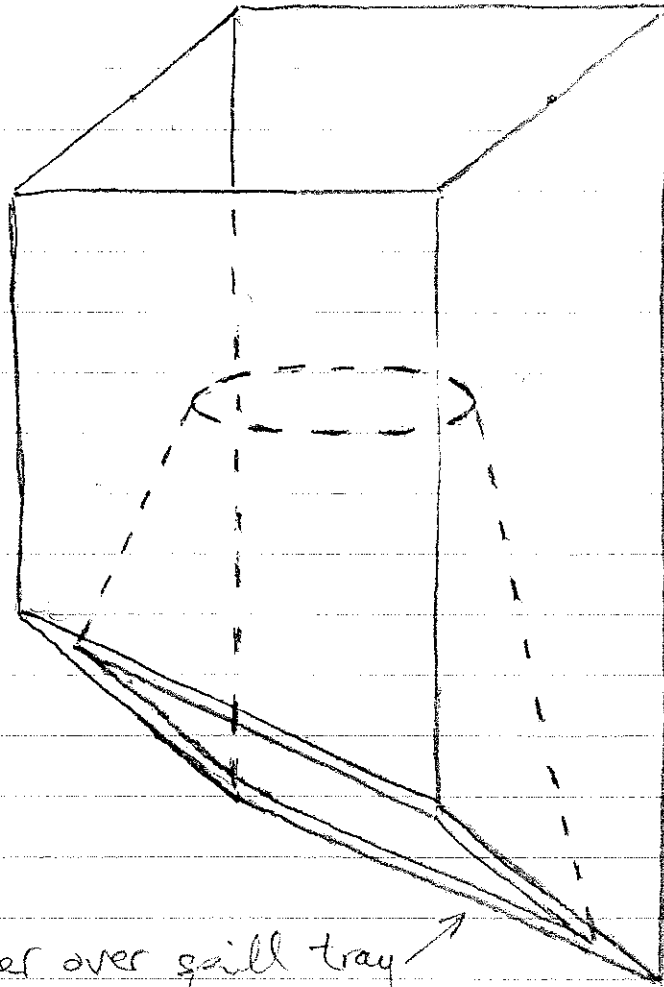


Build with guide bearings

Spring

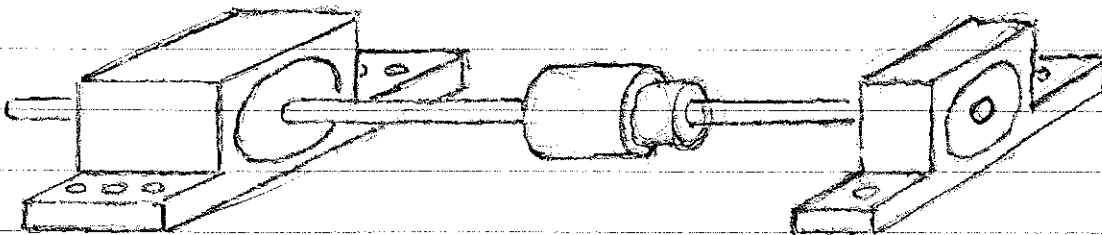
Page 8 of 9





metal powder over spill tray →

lead screw assy (for x & y transport)



(Note: each part of the lead screw assy is individually selected)