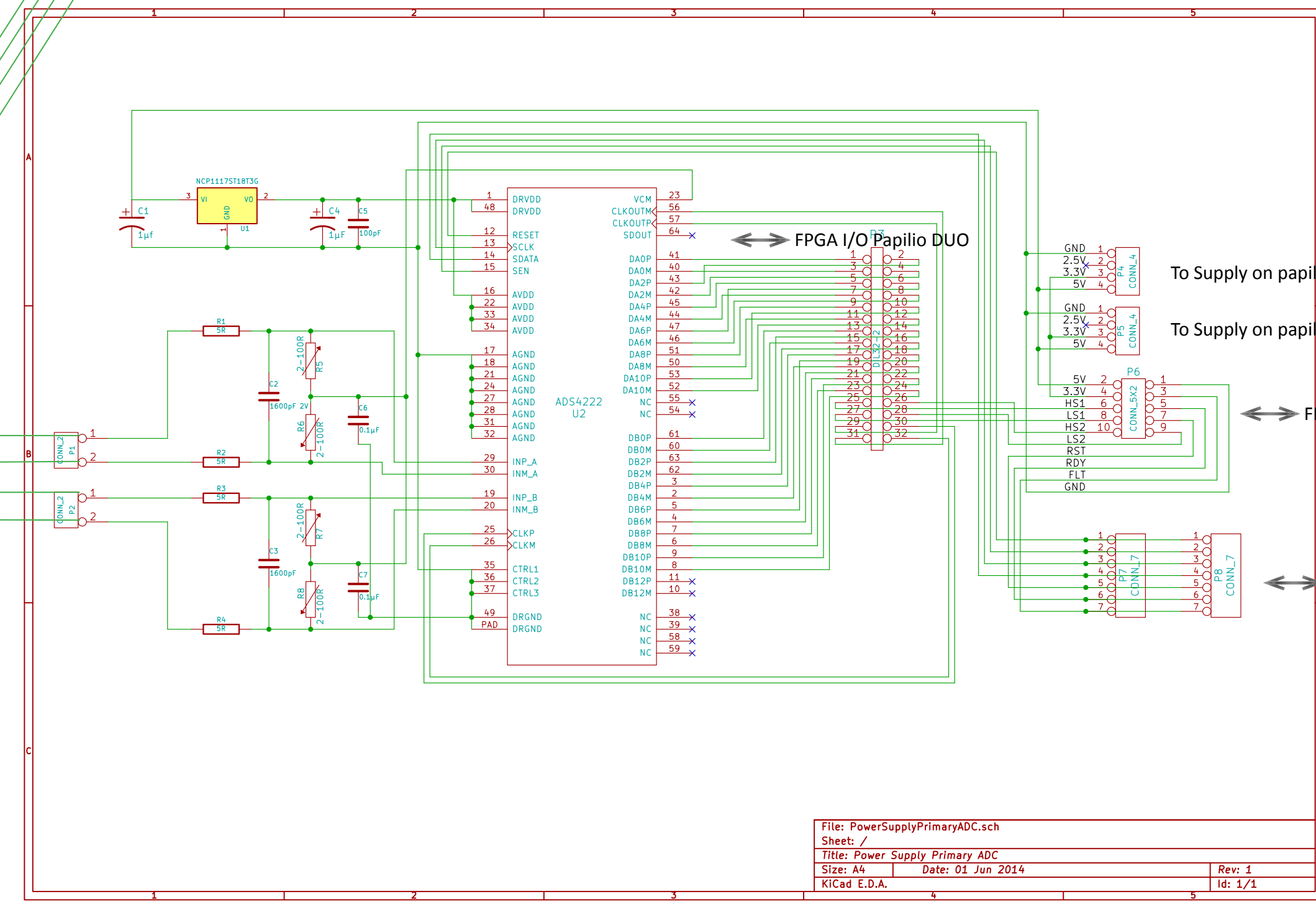
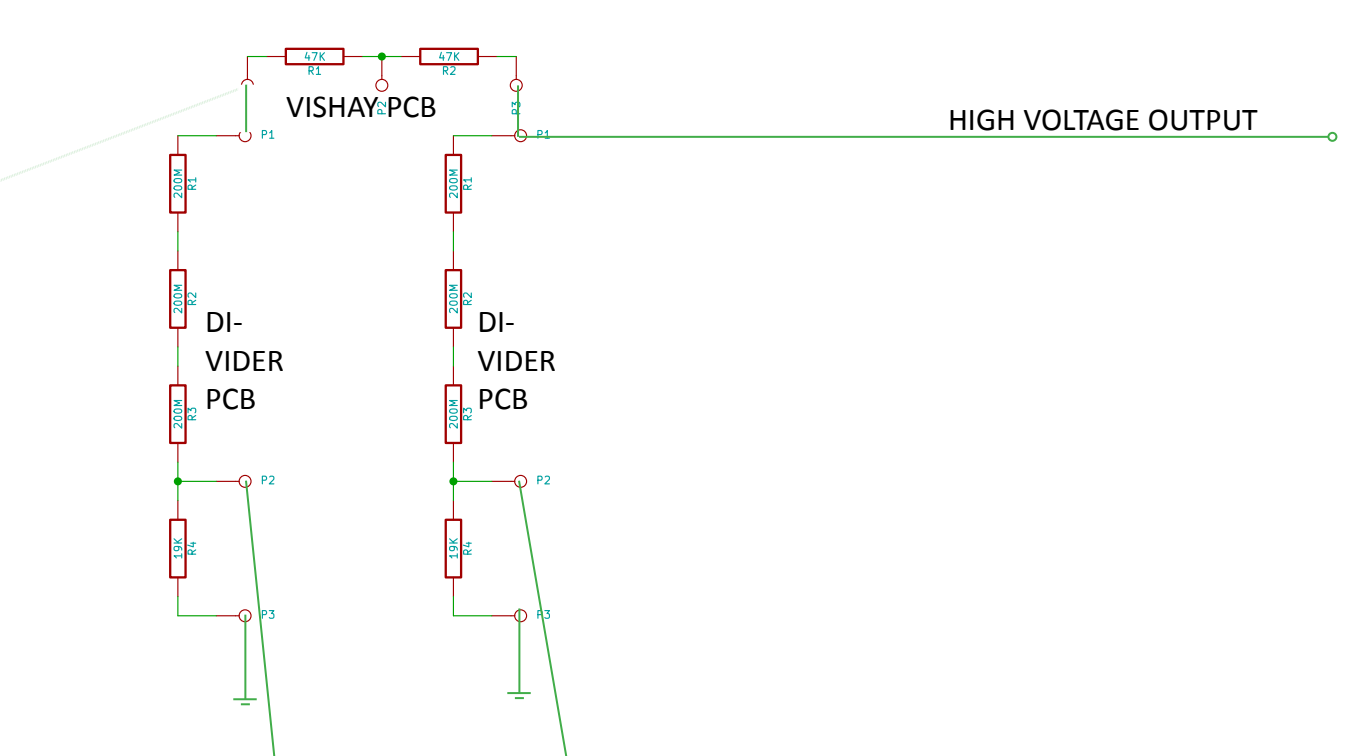
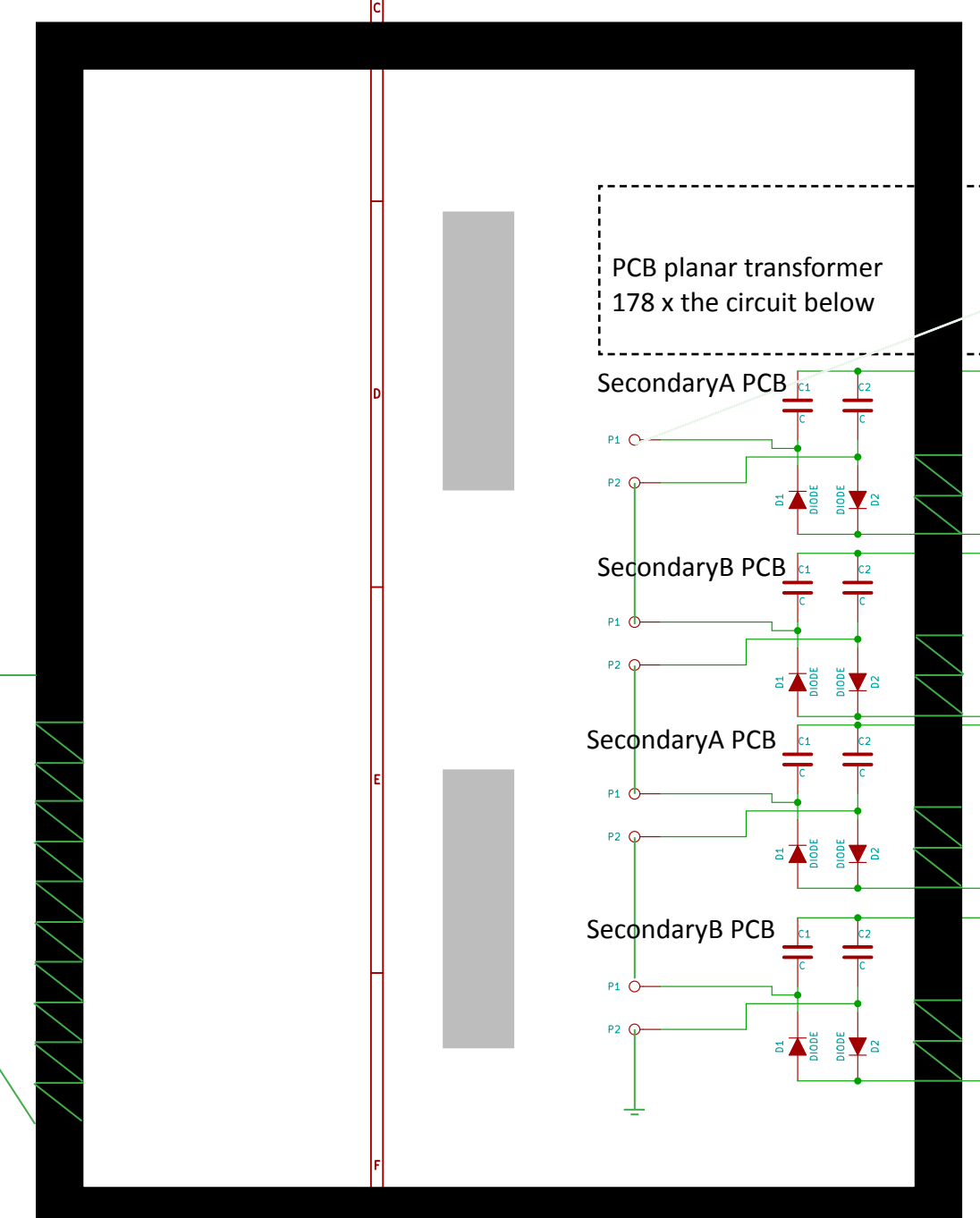
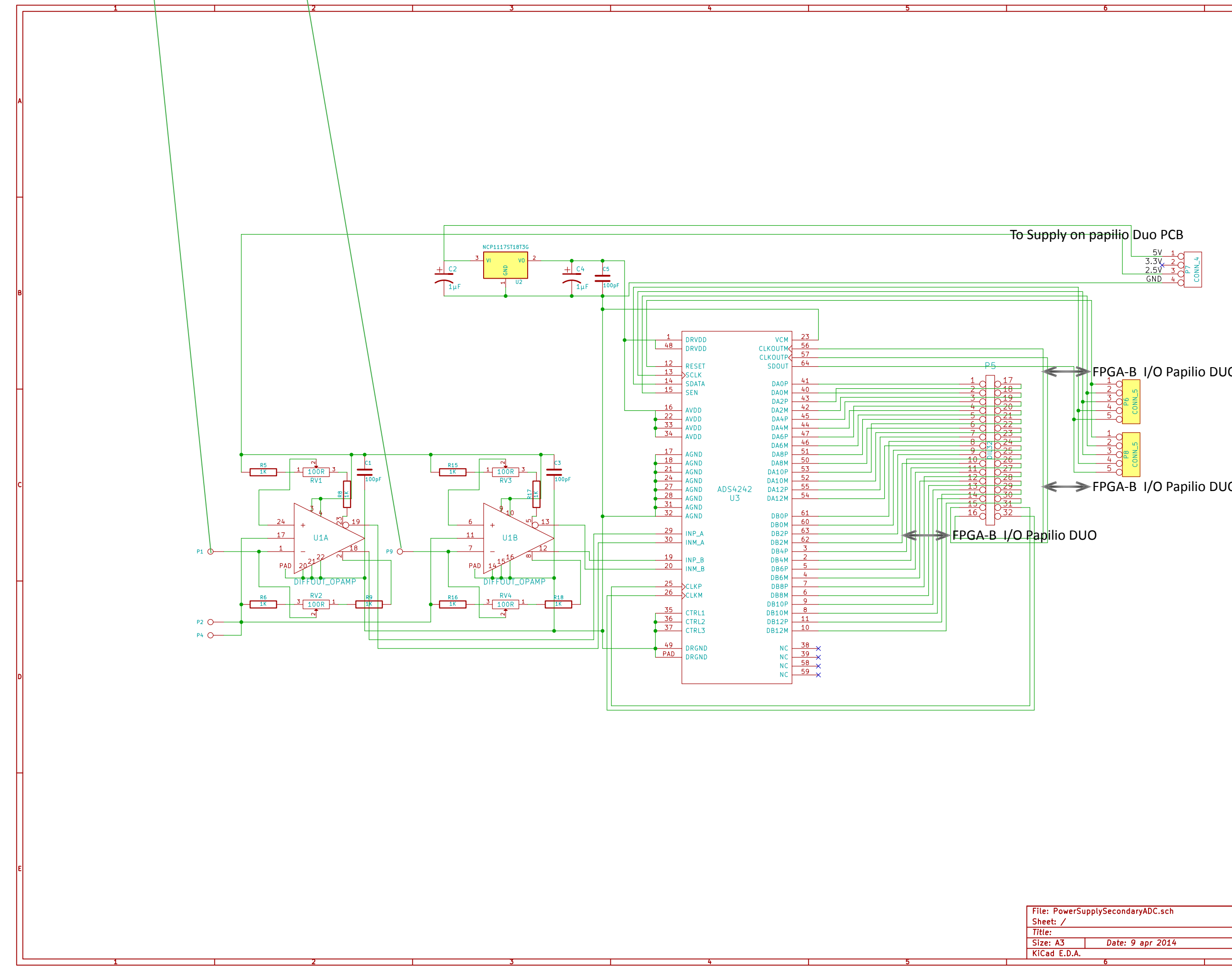


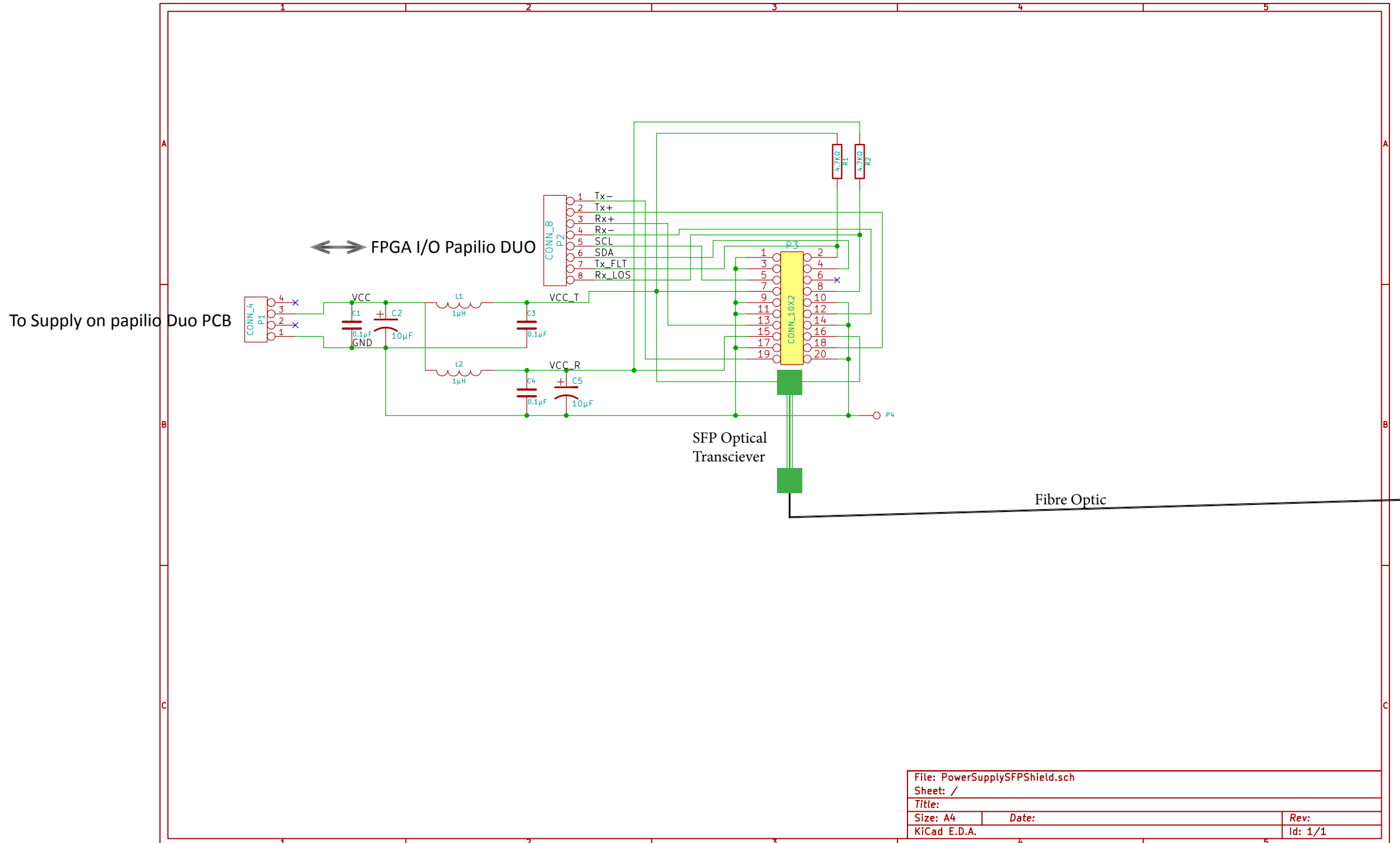
File: PowerSupplyPrimary.sch  
 Sheet: 7  
 Title: Power Supply Primary  
 Date: 01 Jun 2014  
 Rev: 1  
 EDA: PCB EDA



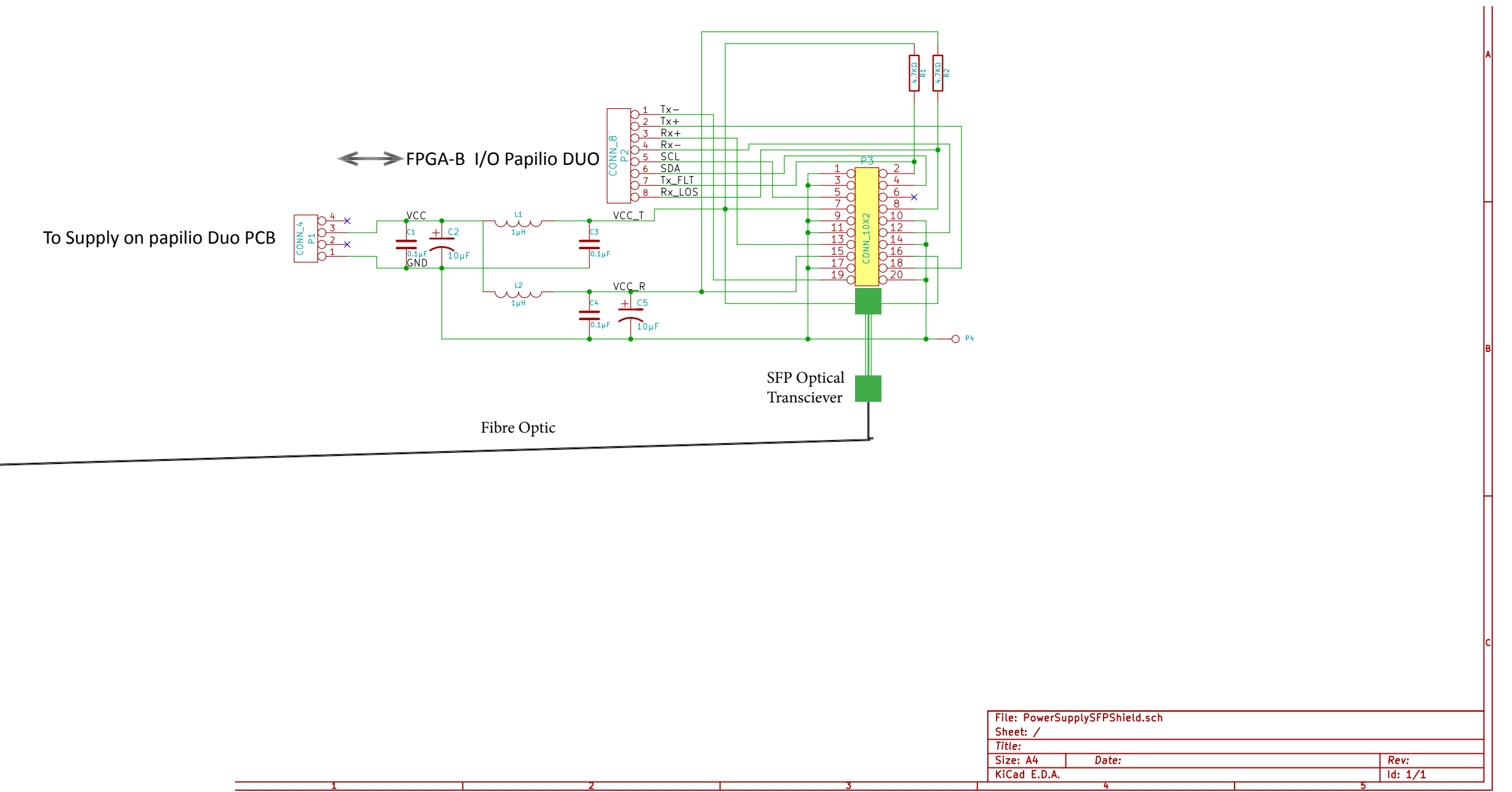
File: PowerSupplyPrimaryADC.sch  
 Sheet: 7  
 Title: Power Supply Primary ADC  
 Date: 01 Jun 2014  
 Rev: 1  
 EDA: PCB EDA



File: PowerSupplySecondaryADC.sch  
 Sheet: 7  
 Title: Power Supply Secondary ADC  
 Date: 01 Jun 2014  
 Rev: 1  
 EDA: PCB EDA



File: PowerSupplySFPDriver.sch  
 Sheet: 7  
 Title: Power Supply SFP Driver  
 Date: 01 Jun 2014  
 Rev: 1  
 EDA: PCB EDA



File: PowerSupplySFPDriver.sch  
 Sheet: 7  
 Title: Power Supply SFP Driver  
 Date: 01 Jun 2014  
 Rev: 1  
 EDA: PCB EDA

MAINS VOLTAGE AREA Left of dotted line with FPGA Papilio DUO

HIGH VOLTAGE AREA right hand side of dotted line with FPGA-B (second FPGA) Papilio DUO (initially battery powered)